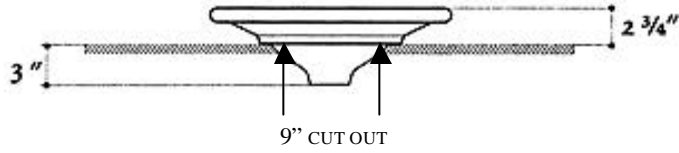
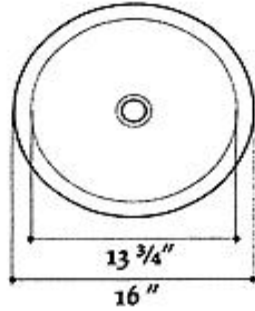
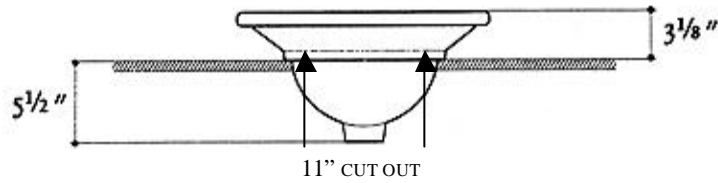
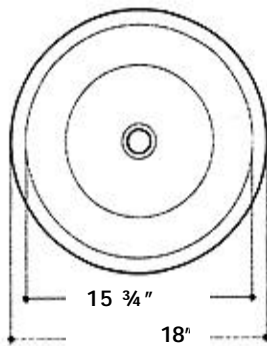


ANAWALT – FLOTATION SPECIFICATIONS

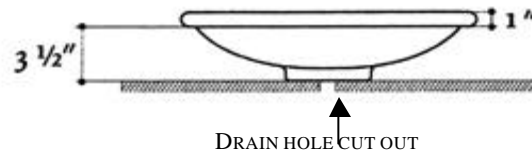
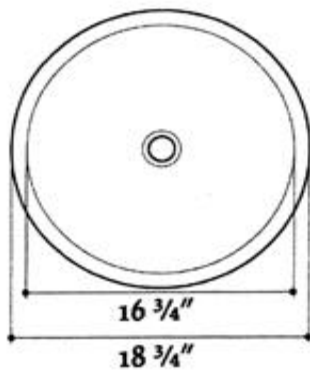
JANUARY 2004



BASIN #523



BASIN #536



BASIN #558

ALL DRAINS: 1.5" - CAN BE ADJUSTED FOR 2" BAR.

PHONE 1800 676 0076 FOR ASSISTANCE