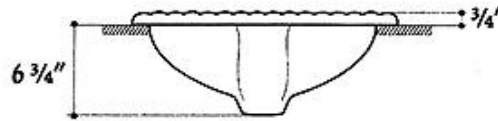
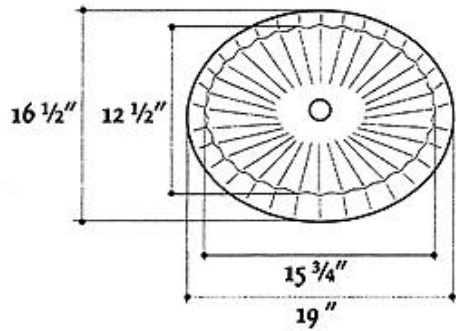
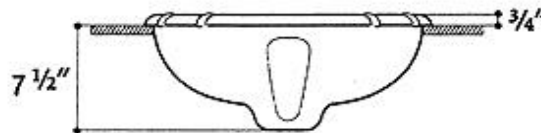
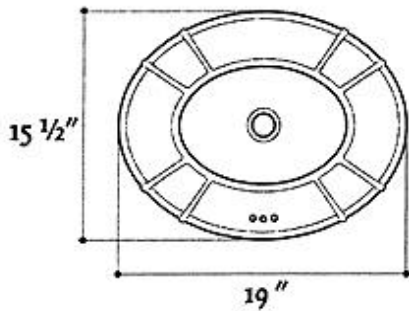


**ANAWALT** SCULPTED BASIN SPECIFICATIONS

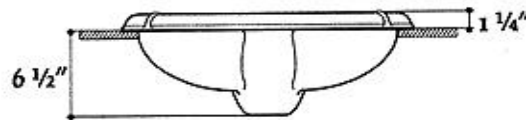
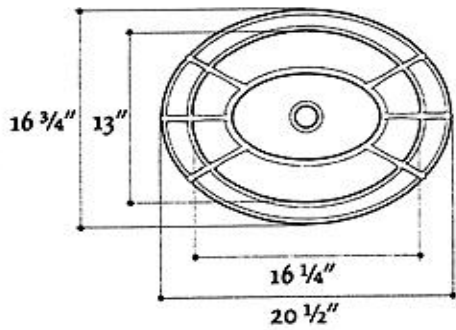
JANUARY 2004



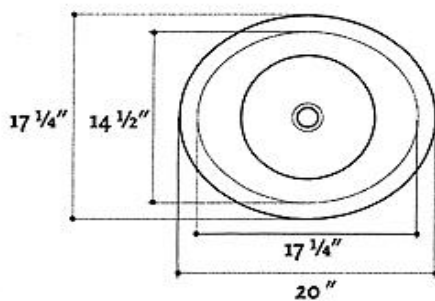
**MODEL 221 FLUTED**



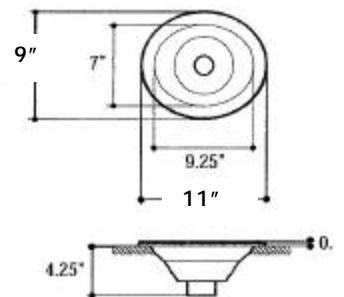
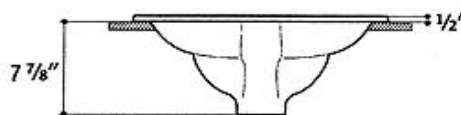
**MODEL 232 SCALLOPED**



**MODEL 244 FRENCH CLASSIC**



**MODEL 275 DEEP POOL**



**MODEL 832 TINY OVAL**